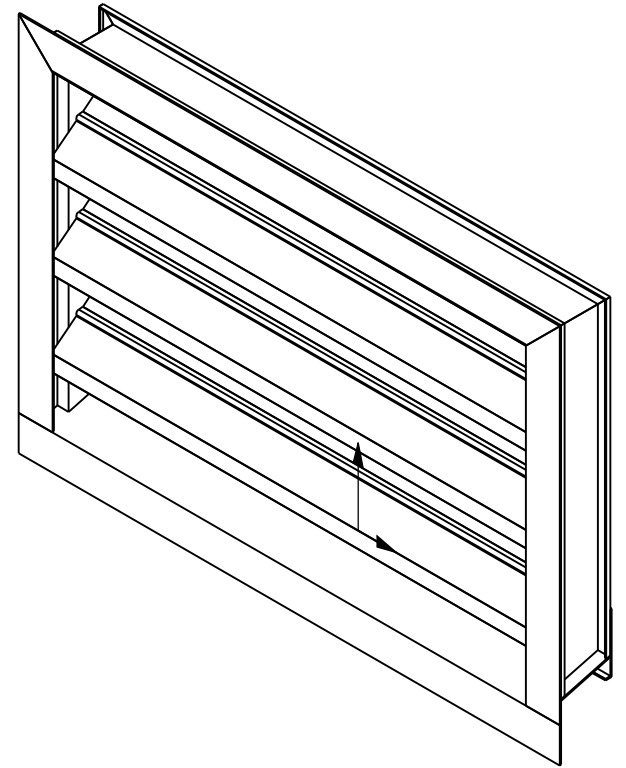
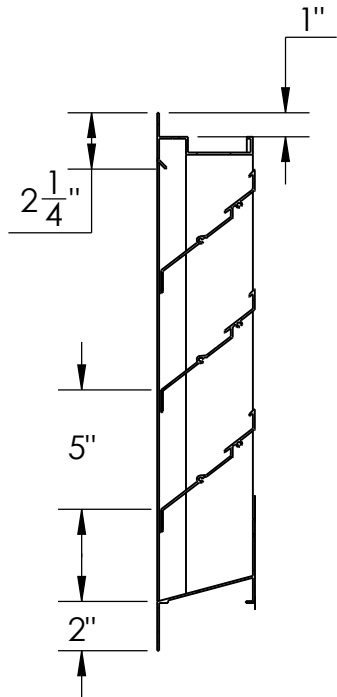


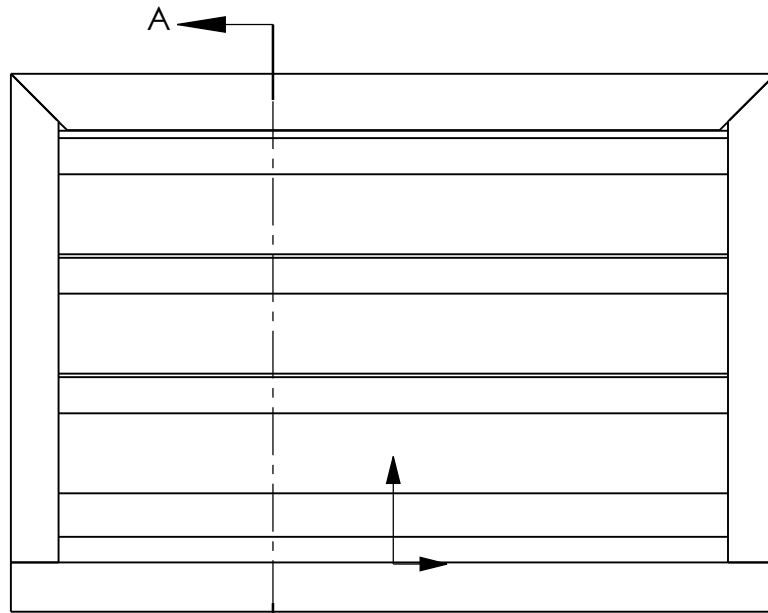
TOP VIEW



ISOMETRIC VIEW



SECTION A-A



FRONT VIEW