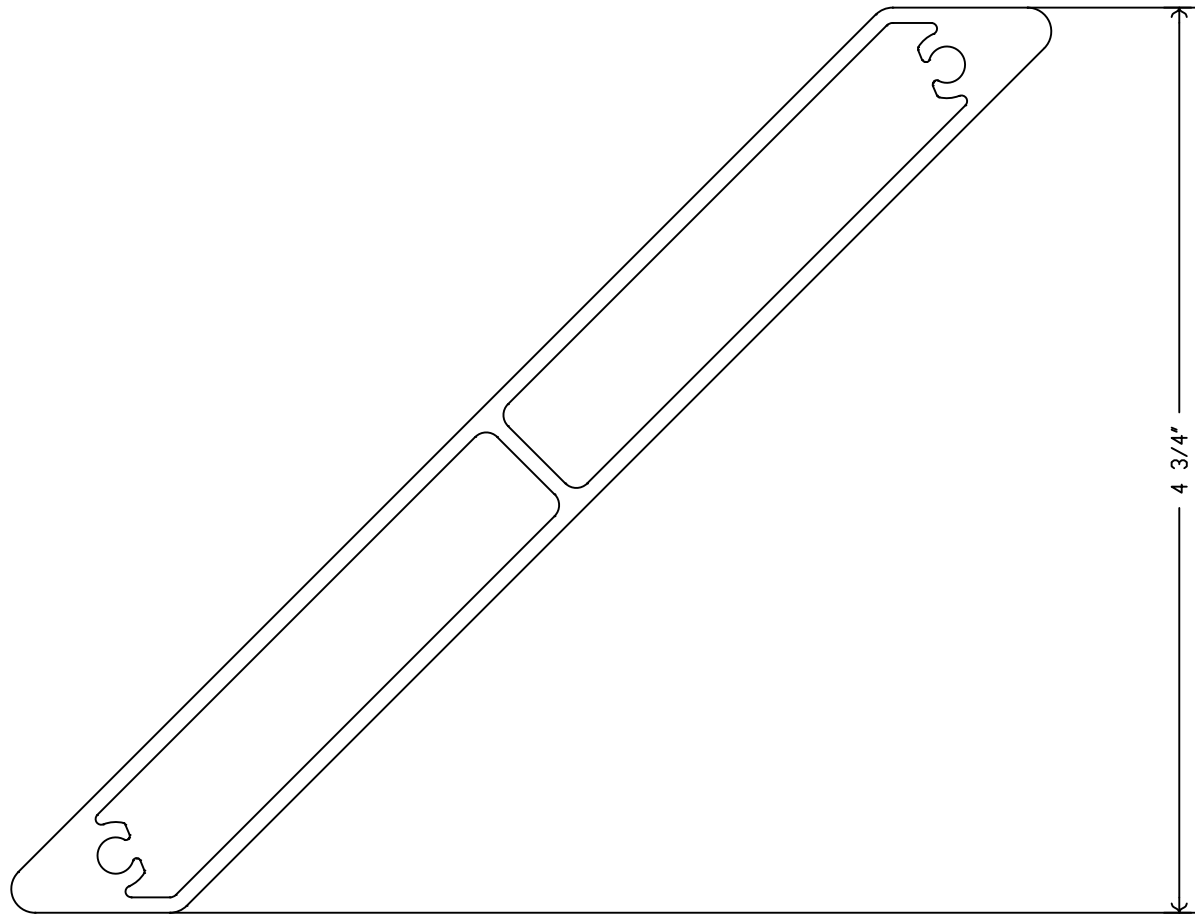




Industrial  
Louvers, Inc.



Date: 12/29/2016

Part ID: BLD2160

Description: BLADE PLANER 4.75

Scale: 1:1.0

Thickness: 0.125